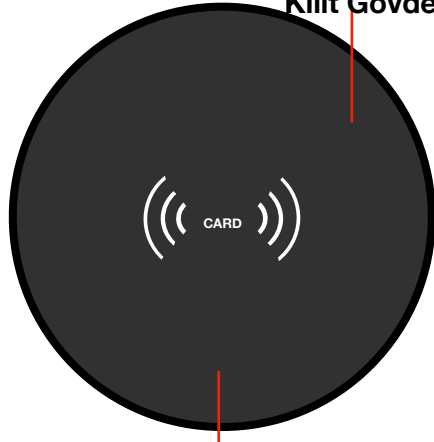


Short introduction

Unlock Light (Green)

Low Battery Light (Red)

Kilit Gövdesi

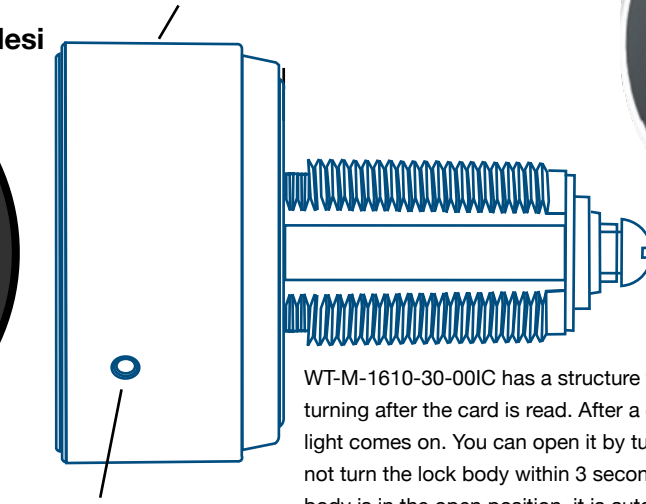


Card Reader

Battery Holder and USB Power Socket

It's under the cover.

It works with 1 piece of CR2450 battery.



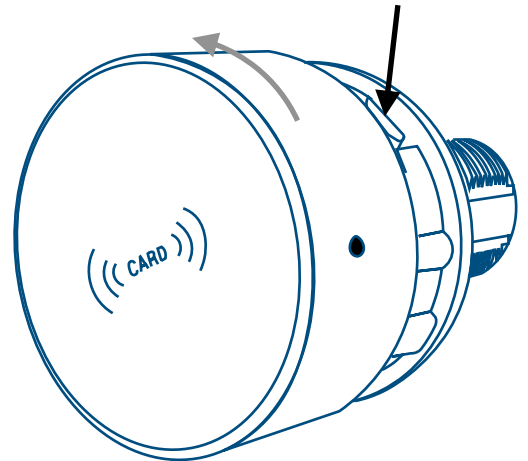
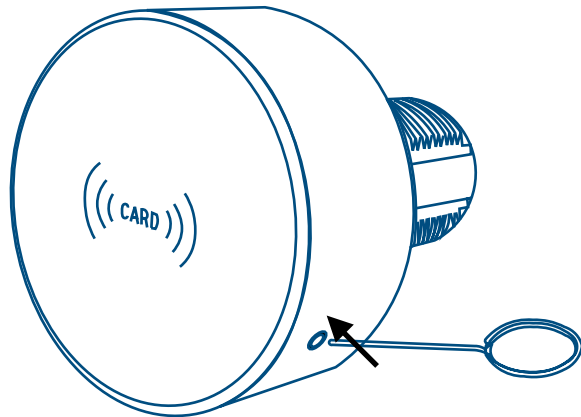
Lid opening pin.

WT-M-1610-30-00IC has a structure that allows the lock body to be taken by turning after the card is read. After a card authorized to open is read, the unlock light comes on. You can open it by turning the lock body in 3 seconds. If you do not turn the lock body within 3 seconds, it will be locked again. When the lock body is in the open position, it is automatically locked when it is turned to the locked position.



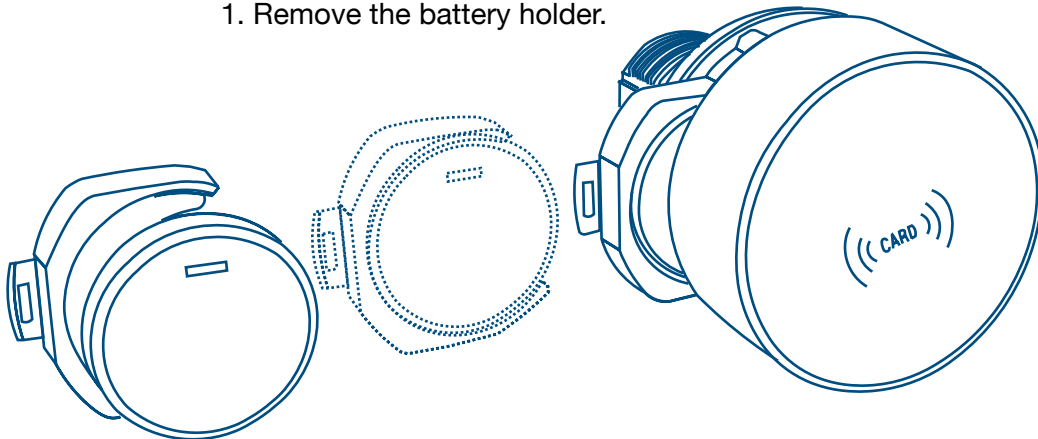
Battery Installation / Replacement

USB Power Input Socket



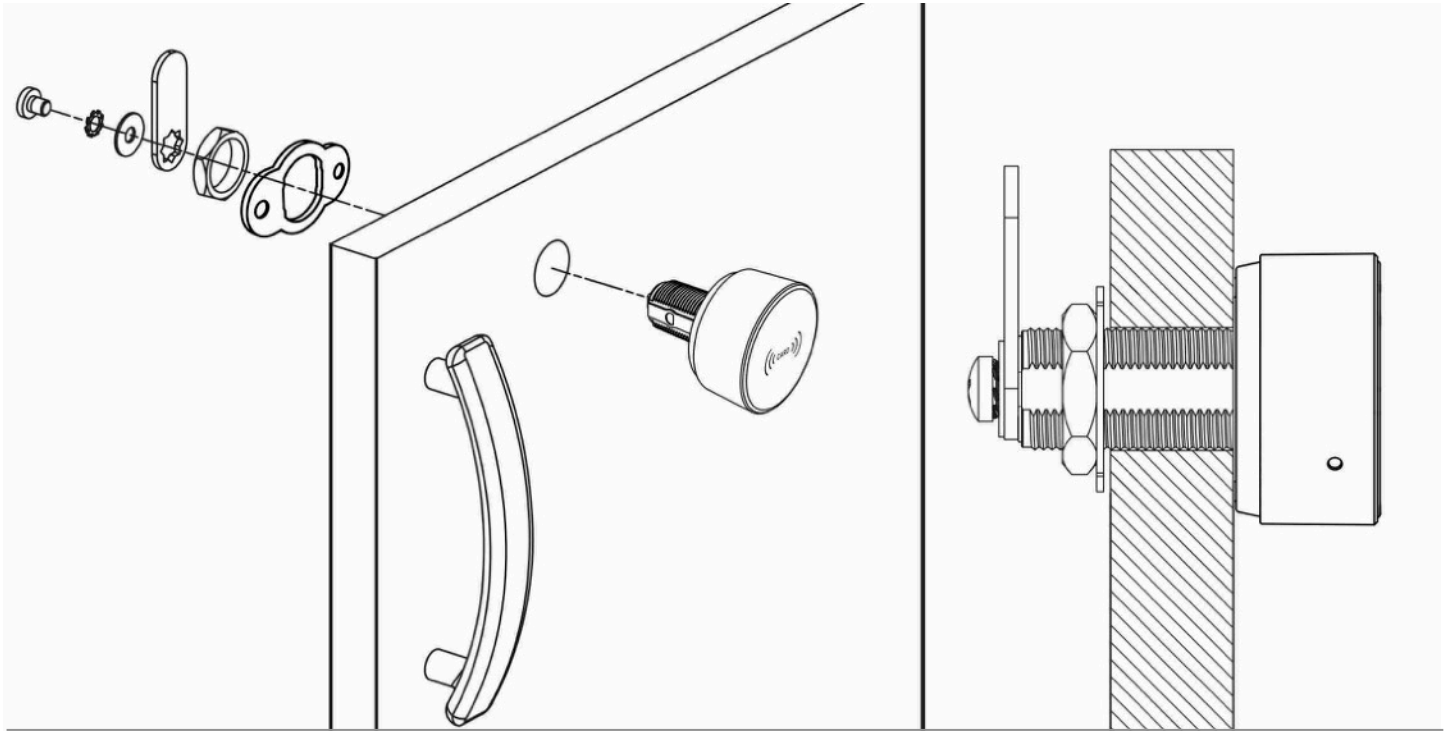
Push the lid release pin in, turn slightly and pull. The battery holder and USB power socket will be exposed.

1. Remove the battery holder.



2. Replace the new battery and insert.

Installation



Technical Specifications

Card Type	Mifare Card or Mifare Tag	Static current	30 μ A
Management Card	1	Dynamic current	130mA
Other Cards	5	Operating temperature	-20 ~ +55°C
Battery Type	CR2450	Operating Humidity Range	10% ~85%
Battery Life	1 Yıl	Storage Temp.	-40 ~ +55°C

! Please note that the battery you are using is outdated, which may affect the default battery life.

How to use?

WT-M-1610-30-00IC Ships from the factory empty card database. The lock is factory set for private use. After installing the battery, the first card you read will be assigned as the manager card.

Before starting to use, you must set the manager card. 7 cards, including 1 manager, 2 main, 2 visitor, 1 temporary and 1 mod, can be introduced to the lock.

The manager card is authorized to identify other cards, delete all cards and unlock them.

Card Authorization Types

4 different authorization type cards can be introduced to the WT-M-1610-30-00IC Model lock. 1 mod changer card

1. Manager Card
2. Main Card
3. Visitor card
4. Temporary Card

Setting the Cards

The first card to be introduced is with manager authority. *If the ISO standard cards do not read because it is larger than the reader surface of the lock, move the card over the surface.*

2. Setting the Manager Card

- 2.1. After installing the battery of the lock, read the first card you have set as the manager card to the lock. The green unlocked light will turn on and you will hear 1 beep. The manager card is set.
- 2.2. Do not use the mode change card that comes with the lock. The mode switch card is used to switch between Private Use Mode (Assign each lock to one person) and Public Use Modes.

3. Setting the Usage Mode *(If you are going to use it in private use mode, you can skip to item 4):*

This lock can be used in 2 different modes as private use and public use. If you are going to allocate the cabinet or drawer to a person, you should choose the private use mode, and if you are going to use it publicly, you should choose the public mode.

- 3.1. The lock comes from the factory set to private use mode. You don't need to do anything to use it in this mode.
- 3.2. If you are going to use the lock in public mode, read the Mode Change Card once. You will hear a long beep. The lock switches to public use mode.
- 3.3. If you swipe the Mode Switch Card again, you will hear a long beep and the lock will switch to personal use mode.

4. Private Use Mode:

In personal use mode, manager card, main card and visitor card can be used. 5 cards, including 1 manager, 2 visitors and 2 main card, can be set in the lock.

- 4.1. **Setting the visitor card:** Read the manager card 3 times on the lock. The green unlock light will start flashing. In this state, you can set the card you want to assign as a visitor by having the lock read. If you want to set the 2 Visitor card, you can have it read while the light is flashing. You will hear a beep when it reads the card. After your scan is complete, the unlock light will stop flashing within 5 seconds. The card will be saved in the memory of the lock. From this moment on, the lock

can be unlocked by reading the visitor card to the lock. When you set another card as a visitor card, the previous registered visitor card will be deleted.

4.2. Setting the Main Card

- 4.2.1. **Setting the 1 Main Card:** Read the manager card to the lock 4 times. The green unlock light will start flashing. In this state, you can read the card you want to assign as the main card by the lock's reader. You will hear a beep when it reads the card. After complete, the unlock light will stop flashing within 5 seconds.
- 4.2.2. **Setting the 2 Main Card:** Read the manager card to the lock 4 times. The green unlock light will start flashing. In this state, you can read the card you want to assign as the main card by having the lock's reader. You will hear a beep when it reads the card. After your set is complete, the unlock light will stop flashing within 5 seconds.

! Even if you remove the battery, the card information is not deleted. So remember which card is the manager.

5. Deleting All Cards

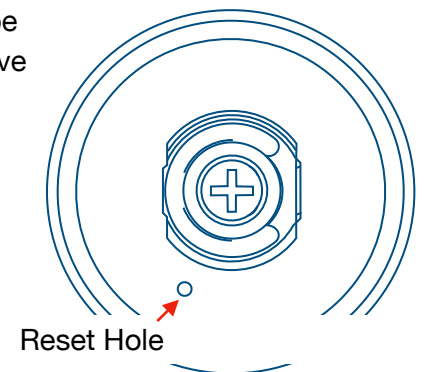
5.1. OPTION 1: Deleting All Cards Using Manager Card

- 5.1.1. When you read the manager card 6 times in a row, 2 beeps will be heard and all the cards in its memory will be deleted.

! Note that after all the cards in the memory are deleted, the card you read first will be assigned as the manager card..

5.2. OPTIN 2: Erase All Cards Using the Reset Button

- 5.2.1. **If you have lost the manager card;** Insert the long needle that comes with the lock into the reset hole on the back of the lock and press and hold the reset button for 2 seconds. When you hear the beep, the lock will be reset to factory settings. All the cards in its memory would have been erases.



Usage (Private Usage)

6. Unlock & Lock

6.1. Unlock

- Read the visitor card or the master card by bringing it close to the lock.
- You will hear a beep. The green unlocked light turns on. The lock body becomes free. You can open the lock by turning the lock body clockwise.

! If it beeps three times, it means the card is not registered by the lock. If your battery is almost dead, it will sound a low battery warning during unlocking. You should replace the battery. A low battery may cause a problem in inserting or deleting the card. You may need to reset the lock if the process is incomplete during the cart setting.

In order to unlock a completely dead battery e lock, you can change the battery, connect e a portable charger or an adapter with a Micro USB output to the Micro USB socket inside the lock's cover to unlock the lock again. Remember, even if the battery runs out, the registered cards will not be deleted.

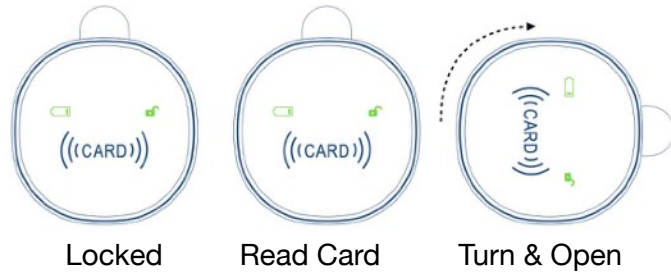
6.2. Locking

To lock it, close the cabinet or drawer cover and turn the lock body counterclockwise..

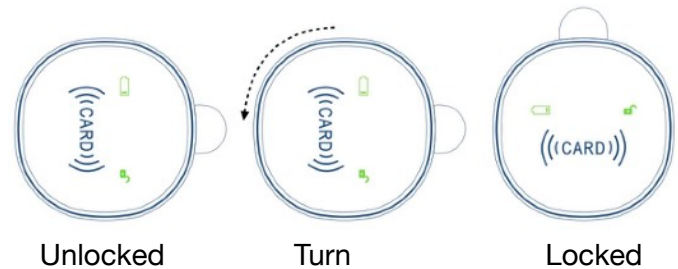
Usage (Private Usage): Schematic

7. Unlock & Lock

7.1.Unlock

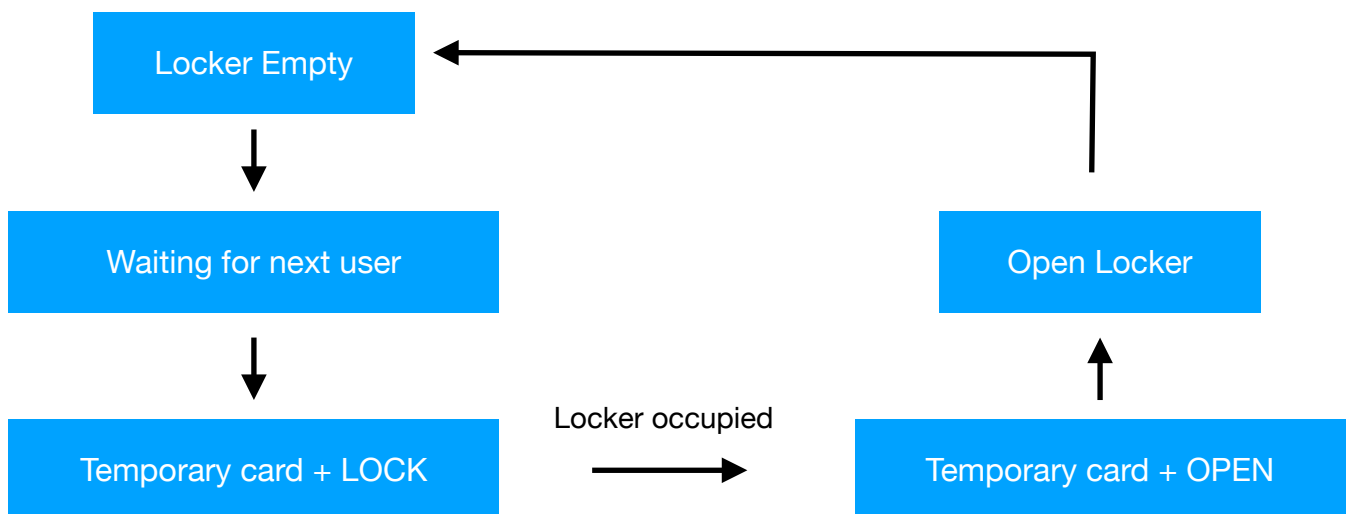


7.2.Lock



Usage (Public Usage)

In general open use, the cabinet or drawer door and lock are open. It works with the following loop:



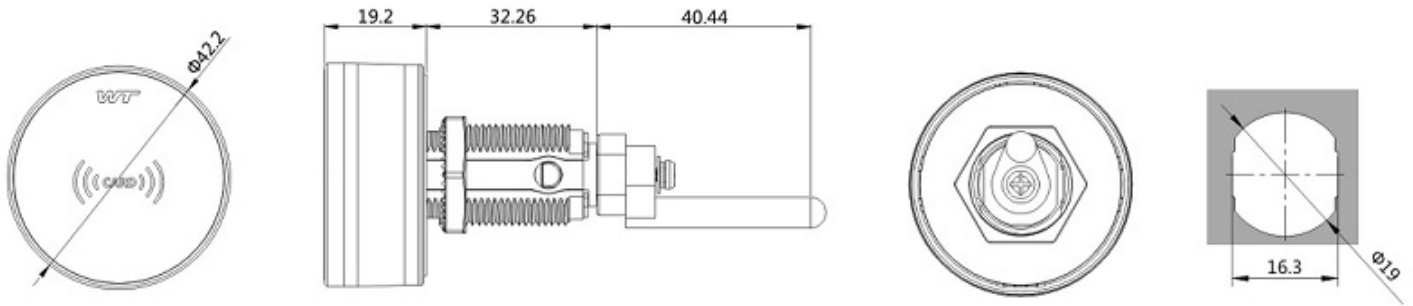
8.Lock & Unlock

8.1.Lock

8.1.1. At this time, the cabinet or drawer is empty, the lock is open. The user reads the temporary card and closes the cabinet or drawer cover and turns the lock to the locked position. It remains locked until the user reads the same card again.

8.1.2. When the user comes back, user reads the same card again, opens the cabinet or drawer and leaves it open. It waits ready for the next user.

Dimensions(mm)



Fixing hole size

Notes

- In public mode: You must first set up the manager card for use
- In public mode: Manager card can unlock, delete temporary card.
- In public mode : The lock turns lights on and off every 3 seconds, which means a temporary card has already been assigned..
- In public mode : Temporary card can only be used once.
- Beep Beep Beep means the card is not recognized by the lock.
- If battery is almost dead, it will sound a low battery warning during unlocking. You should replace the battery. A low battery may cause a problem in setting or deleting the card.