
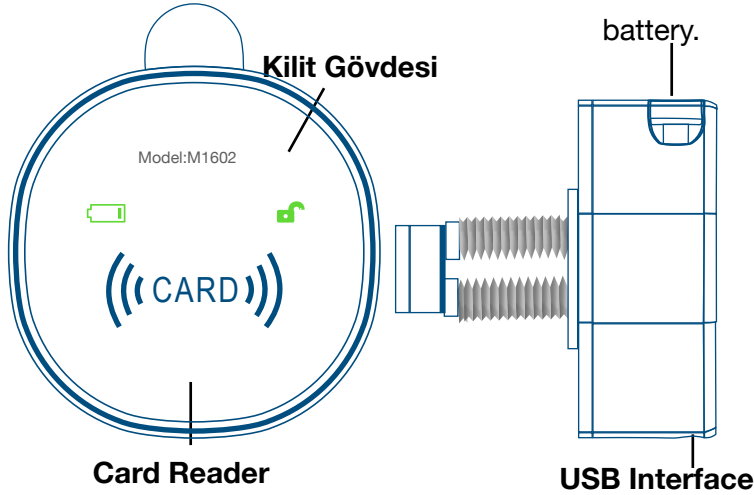


Short Introduction

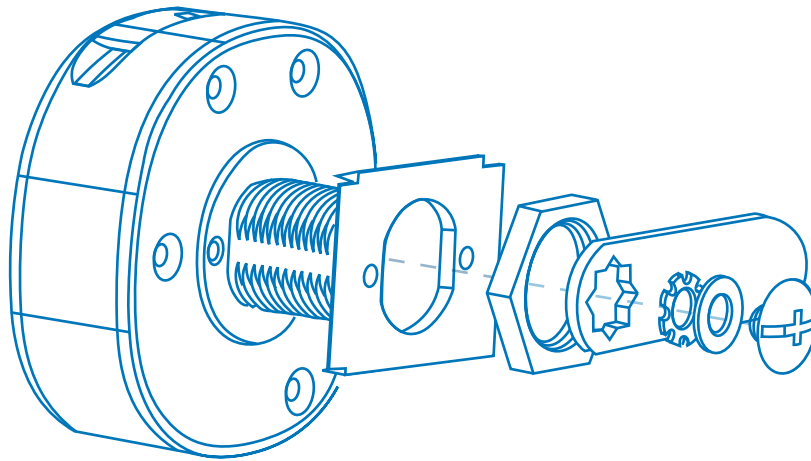
 Unlocked indicator light

 Low battery Indicator




The WT-M-1602-30-001C has a structure that allows the lock body to be turned after the card is read. The unlock light turns on after a card authorized to open has been read. You can open the lock body by turning it within 3 seconds. If you don't turn the lock body within 3 seconds, it will lock again. When the lock body is turned to the locked position while it is open, it is automatically locked.

Installation



Technical Parameters

| | | | |
|---------------------|-----------------------------|---------------------|-------------|
| Card Reader | 13,56MHZ Mifare Card Reader | Standby Current | 20µA |
| Administrator Card | 1 | Working Current | 30mA |
| Other Cards | 23 | Working Temperature | -20 ~ +55°C |
| Power Supply | CR2450 | Working Humidity | 10% ~85% |
| Batteries Life Time | 1 Year | Storage Temperature | -40 ~ +55°C |

 Please note that outdated production of the battery you use may affect the default battery life.

How to use

WT-M-1602-30-001C It comes from the factory with no card defined. After installing the battery, the first card you have read will be assigned as the administrator card.

You have to set the administrator card before using it. 24 cards can be defined to the lock, 1 of which is an administrator.

The administrator card is authorized to register, delete and unlock other cards.

Card Types

WT-M-1602-30-001C 4 different authorization type cards can be registered to the model lock.

1. Administrator Card
2. Main Card
3. Service Card
4. Visitor card

Registering Cards

The first card to be registering is under administrator authority.

2. Register to the Administrator Card

- 2.1. After inserting the lock battery, have the card you set as the administrator read into the lock. The green unlock light turns on and you will hear 1 beep. The administrator card is registered.

! Remember: The administrator card does not unlock in a single reading. If you want to unlock with an administrator card, you have to have it read it 4 times consecutively.

3. Single Card Operating Mode

In single card operating mode, administrator card, main card and visitor card can be used. 5 cards, including 1 administrator, 1 visitor and 3 main card, can be register to the lock.

- 3.1. **Register the Visitor Card:** Have the administrator card read. The green unlock light will start flashing. In this case, you can register the card you want to assign as a visitor by having it read on the lock. You will hear a beep when you have the visitor card read. The unlock light will stop blinking within 5 seconds after you register is completed. The card will be saved in the lock's memory. From this moment on, the lock can be unlocked by reading the visitor card on the lock. When you register another card as a visitor card, the previous registered visitor card will be deleted.

3.2. Register the Main Card

- 3.2.1. **Registering Single Main Card:** Have the 3 times administrator card read. The green unlock light will start flashing. In this case, you can register the card you want to assign as the main card by have do read it to the lock. You will hear a beep when lock read the card. The unlock light will stop blinking within 5 seconds after registering is completed.
- 3.2.2. **Registering More Than One Main Card:** Have the 3 times administrator card read. The green unlock light will start to flash. In this case, you can register the cards you want to assign as the main card by have do read it to the lock one after the other. Note that a maximum of 3 main cards can be registered.

! Cards will not be deleted even if you remove the battery. So please don't forget which card is the administrator.

4. Double Card Operating Mode

The usage in operating mode with double cards is as follows: When the service card and visitor card have read one after the other the lock will be unlocked.

! *When the visitor card and then the service card are registered to the lock, it switches to double card opening mode. If the attendant card is registered first, then the visitor card, it will not switch to double card mode.*

4.1. **Registering Visitor Card:** Have the administrator card read. The green unlock light will start flashing. In this case, you can register the card you want to assign as a visitor by having it read on the lock. You will hear a beep when you have the visitor card read. The unlock light will stop blinking within 5 seconds after you register is completed. The card will be saved in the lock's memory. From this moment on, the lock can be unlocked by reading the visitor card on the lock. When you register another card as a visitor card, the previous registered visitor card will be deleted.

4.2. Registering Service Card

4.2.1. **Registering Single Service Card:** Have the 2 times administrator card read. The green unlock light will start flashing. In this case, you can register the card you want to assign as a visitor.

4.2.2. **Registering More Than One Service Card:** Have the 2 times administrator card read. The green unlock light will start flashing. In this case, you can register the cards you want to assign as the service card by have do read it to the lock one after the other. Note that a maximum of 19 main cards can be registered.

! *The service cards is not authorized to unlock alone.*

4.3. Registering Main Card

4.3.1. **Registering Single Main Card:** Have the 3 times administrator card read. The green unlock light will start flashing. In this case, you can register the card you want to assign as the main card by have do read it to the lock. You will hear a beep when lock read the card. The unlock light will stop blinking within 5 seconds after registering is completed.

4.3.2. **Registering More Than One Main Card:** Have the 3 times administrator card read. The green unlock light will start to flash. In this case, you can register the cards you want to assign as the main card by have do read it to the lock one after the other. Note that a maximum of 3 main cards can be registered.

! *Main cards are authorized to unlock in single card mode or double card mode.*

5. Deleting Registered Cards

5.1. Deleting All Cards

5.1.1. When you have the administrator card read 5 times in a row, the lock 2 beeps will be heard and all cards in the memory are deleted.

! *Remember that when all the cards in memory are deleted, the first card read will be assigned as the administrator card.*

Usage

6.Unlocking & Lock

6.1. Unlocking

6.1.1.In Single Card Mode

- Have the visitor card or main card read the lock.
- Buzzer gives out a long beep sound, the unlocking indicator lights is on.Turn the knob clockwise within 3s to open the lock.

6.1.2.In Double Card Mode

- Have the service card read the lock. The green unlock light flashes with the beep. Then have the visitor card read to the lock. Turn the knob clockwise within 3s to open the lock.

! *In both single card mode and double card mode, the main card (s) unlock with one read. If you want to unlock with the administrator card, have the lock read it 4 times.*

! *If your battery is running low, the low battery light turns on during unlocking. In this case, you must replace the battery. If the low battery indicator is lit, you are not allowed to introduce or delete cards. If the process is interrupted during the registering, you may not be able to reset the lock.*

! *You can change the battery in order to unlock a lock that has completely run out of power, and you can unlock it again by connecting a portable charger or an adapter with Micro USB output to the Micro USB port at the bottom of the lock. Remember, cards will not be erased even if the battery runs out.*

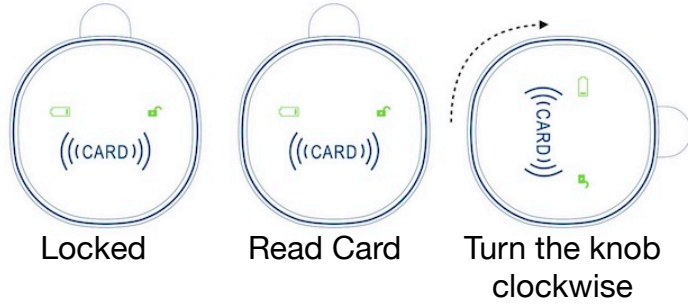
6.2. Lock

Rotate counter clockwise the knob to lock.

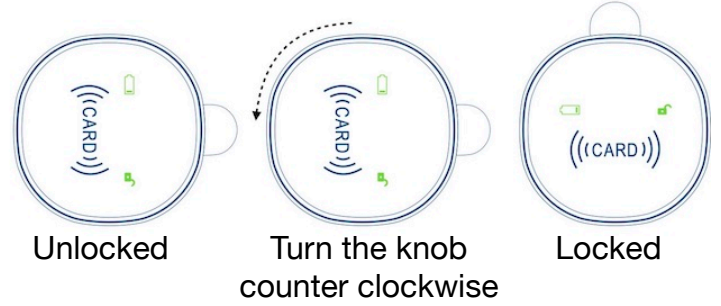
Usage: Schematic

7. Unlocking & Locking

7.1.Unlocking



5.2.Locking



Dimensions (mm)

