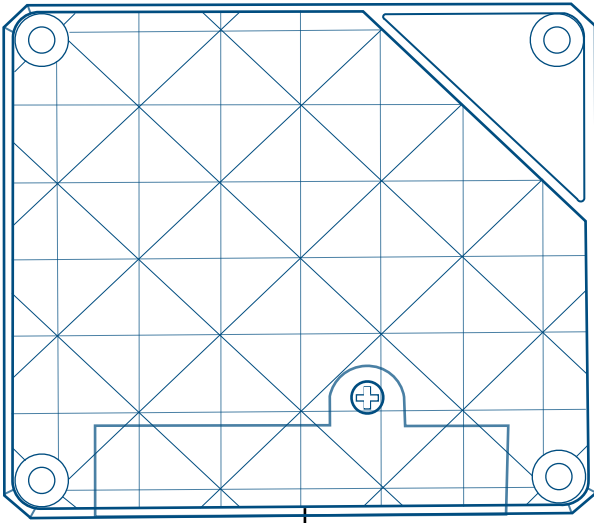


Short introduction



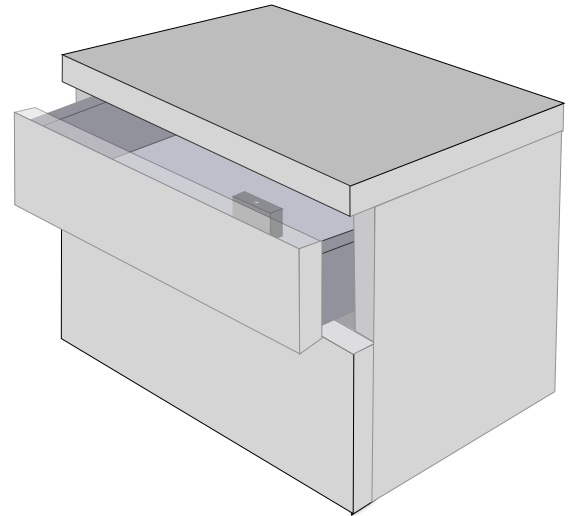
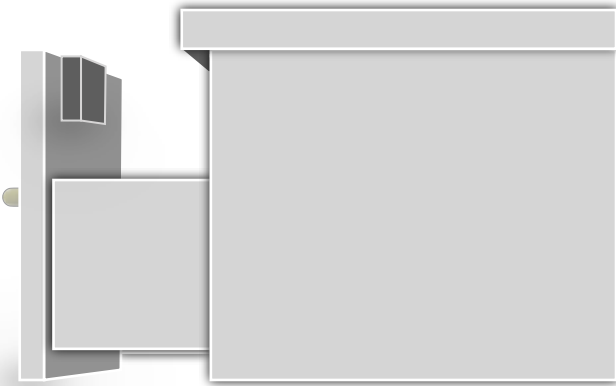
Battery housing

Works with 3 AAA batteries.



The WT-M-1708-00IC is a motorized lock that can be locked by swiping and unlocked by swiping a card. Made for drawers and cabinets. If the card is locked when you read it, it is unlocked. It comes with an administrator and 1 user card from the factory. Admin card does not unlock and lock. It is used only for adding and deleting users cards. Supports 13.56MHz Mifare cards.

Installation



Technical information

Card Reader	13,56MHZ Mifare Card Reader	Standby Current	30 μ A
Administrator Card	1	Operating Current	130mA
User Card	21	Operating Temperature	-20 ~ +55°C
Compatible Battery	3 x AAA Battery	Op. Humidity Range	10% ~85%
Battery Life	10.000 Lock/Unlock	Storage Temperature	-40 ~ +55°C

⚠ Please note that outdated production of the battery you use may affect the default battery life.

⚠ This lock is not suitable for metal body cabinet or drawer cover

How to use

The WT-M-1708-001C comes with an administrator and a user card. Administrator card does not unlock and lock. It is used only for adding and deleting users cards. Supports 13.56MHz Mifare cards.

Insert 3 AAA batteries before using them. Try before mounting with the user card. When the card is shown to the reader side of the lock, the latch is pushed out by the motor. The latch does not enter before the card is read again.

Registering and Deleting User Card

It comes with one administrator and one user card.

1. Registering a User Card

- 1.1. Have the administrator card read. You will hear a melody. Then have the card you want to identified swipe. If you hear a long beep, the card has been identified. It exits card identification mode within 5 seconds. If you want to identify more than one card, you can read the cards one after the other. A long beep will sound after each reading.

! Remember that you can identify a total of 21 user cards.

2. Deleting All Cards (Including Administrator Card)

- 2.1. You will hear a melody the first time you read the administrator card. Then, if you make the administrator card read 5 more times, all the cards in the lock memory are deleted.

3. Setting Up the Administrator Card

- 3.1. After all cards are deleted, the first card read to the lock is assigned as the administrator card.

! Card information is not deleted even if you remove the battery. Therefore, you should never lose your administrator card.

Usage

4. Unlock & Lock

4.1. Unlock

Swipe the card to open your drawer or locker. The motor will pull in the latch. You can now open the drawer or cabinet.

4.2. Lock

Close the drawer or cabinet door. Have the card read again. The motor will push the latch out and lock.

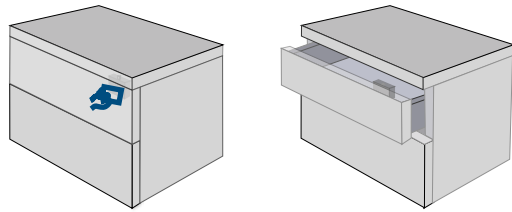
! Make sure that the drawer or cabinet door is fully closed. In cases where the latch is prevented from being pushed out, it automatically retracts the latch.

! If the batteries are about to run out, it starts to sound a warning. In this case, you must replace the battery. The right approach would be to replace the batteries every year, depending on the frequency of use.

Usage: Schematic

5. Unlock & Lock

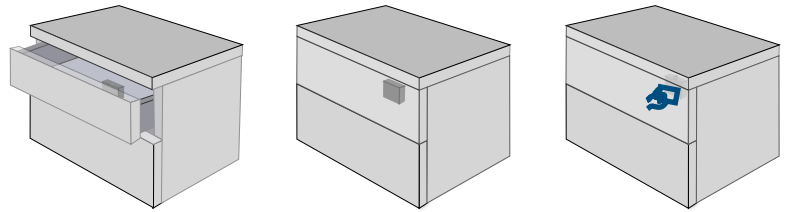
5.1.Unlock



Read the Card

Open Drawer

5.2.Lock



Push the Drawer

Read the Card

Dimensions

