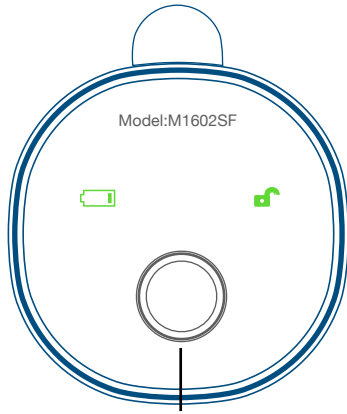


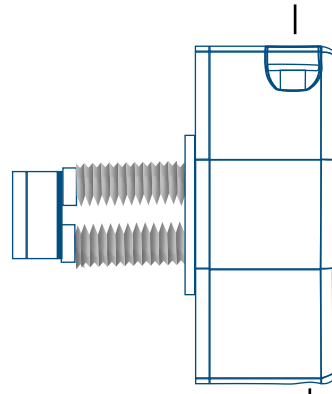
Short introduction

 Unlocked indicator light

 Low battery Indicator



Fingerprint Sensor



USB Interface

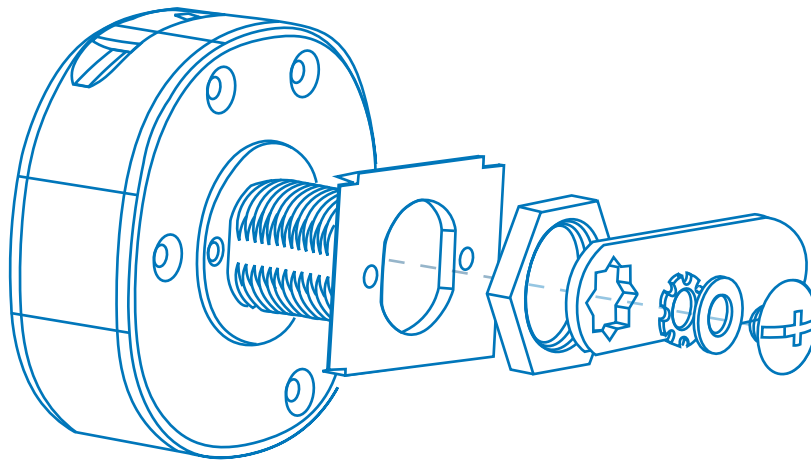
Battery box

Works with
CR2450 battery.




WT-M-1602-30SF has a structure that allows the lock body to be turned after fingerprint is scanned. The unlock light turns on after a fingerprint authorized to open has been scanned. You can open the lock body by turning it within 3 seconds. If you don't turn the lock body within 3 seconds, it will lock again. When the lock body is turned to the locked position while it is open, it is automatically locked.”

Installation



Technical Parameters

Fingerprint Device	Semiconductor fingerprint reader	Standby Current	20μA
Management Fingerprint	2	Working Current	30mA
User Fingerprint	8	Working Temperature	-20 ~ +55°C
Power Supply	CR2450	Working Humidity	10% ~85%
Batteries Life Time	1 Year	Storage Temperature	-40 ~ +55°C

 Please note that outdated production of the battery you use may affect the default battery life.

How to use

WT-M-1602-30SF comes from the factory with no fingerprints identified. After inserting the battery, it will unlock for each finger you read. Once a fingerprint is recognized, other fingerprints cannot unlock.

You must set up an administrator fingerprint before using it. Ten fingerprints, two of which are administrators, can be assigned to the lock. If you will not authorize someone else, you can use it with only 1 administrator fingerprint. However, it is recommended that you introduce at least 2 fingerprints to avoid adverse situations.

The administrator fingerprint is authorized to identify and delete other fingerprints.

How to set fingerprint

1. How to add the management fingerprint

- 1.1. When the fingerprint database is empty, put the finger on the lock for about 1s, you will hear a long beep sound with green unlocked indicator light on; again put the management fingerprint on the lock for about 3s, you will hear a long beep sound with unlocked indicator light flash, now you are ready to add user fingerprint.
- 1.2. To put the management fingerprint on the lock for 4 times, you will hear a short beep sound means inputting fingerprint succeed, if you hear two short beep sound, means failed. Then change position of fingerprint and press 4 times success fully, a long beep sound alarm, means means setting management fingerprint succeed. (2 at most) Fingerprint can be added 10 at most, the first 2 as management fingerprint, the rest 8 as user fingerprint.

! Management fingerprint have add and delete user fingerprint function. Please place your finger on the reader at the same angle each time. Since changing the direction of the finger will cause failure to match, the fingerprint set process may not be performed.

2. How to add the user fingerprint

- 2.1. Put the management fingerprint on the lock for about 1s, you will hear a long beep sound with unlocked indicator light on.
- 2.2. Again put the management fingerprint on the lock for about 1s, you will hear along beep sound with unlocked indicator light flash. Now you are ready to add user fingerprint.
- 2.3. To put the user fingerprint on the lock for 4 times, you will hear a short beep sound means management fingerprint setting succeed, if you hear two short beep sound, means failed. Then change position of fingerprint and press 4 times, a long beep sound alarm, means succeed. (8 at most).

! The user fingerprint can be added after 2 management fingerprints added. Stored fingerprints are not delete even if you remove the battery. So don't forget which finger is the manager.

3. Delete fingerprint

3.1. Delete All Fingerprints

- 3.1.1. Scan the administrator fingerprint 2 times with 1 second intervals. The green unlock light will start flashing. When you get the same finger scanned 1 more time, you will hear a long beep and the red low battery light will flash. Have your finger scan the reader for the 4th time and do not take your finger off the reader for 3 seconds. You will hear a long beep and the red low battery light will stop flashing and all fingerprints stored in memory will be erased.

! *Remember that when all fingerprints in the memory are erased, every finger you scan will unlock.*

3.2. How to delete only users fingerprints

- 3.2.1. Scan the administrator fingerprint 2 times with 1 second intervals. The green unlock light will start flashing. When you get the same finger scanned 1 more time, you will hear a long beep and the red low battery light will flash. When the red low battery light flashes complete, all user fingerprints have been deleted.
- 3.2.2. This action does not delete administrator fingerprints.

Remember that every finger you scan will unlock when all stored fingerprints are erased.

Usage

4. Lock & Unlock

4.1. Unlock

- To verify your fingerprint on lock for about 1 second.
- Buzzer gives out a long beep sound, the unlocking indicator lights is on. Turn the knob clockwise within 3s to open the lock.

! *If you don't touch your finger the way you used it to recognize it, you will hear 2 short beeps in succession and it won't unlock. Re-read it as you put your finger in the recognition.*

! *If the battery is running out of energy, the low battery light turns on during unlocking. In this case, you must replace the battery. If the low battery indicator is lit, you are not allowed to identify or delete fingerprints. Because if the process is interrupted during the recognition, you cannot reset the lock.*

In order to unlock a lock with a completely depleted battery, you can change the battery, connect a power bank or an adapter with Micro USB output to the Micro USB port at the bottom of the lock to unlock it. Remember, fingerprints will not be erased even if the battery runs out.

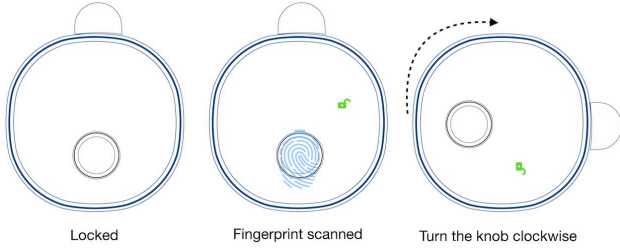
4.2. Lock

Rotate counter clockwise the knob to lock.

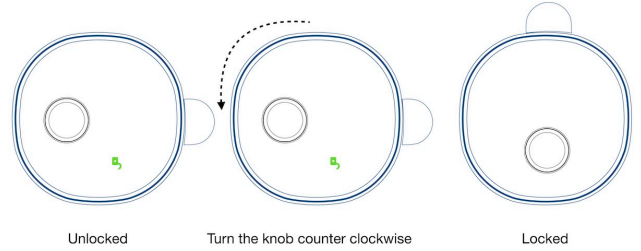
Usage: Schematic

5. Unlocking & Locking

5.1.Unlocking



2.2.Locking



Dimensions

