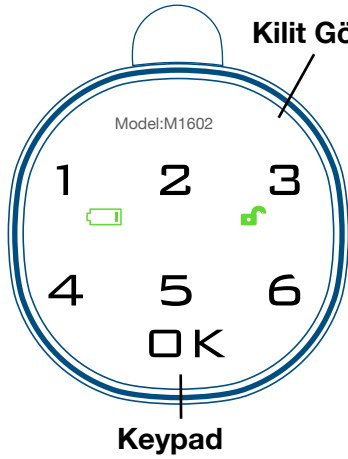


Short introduction

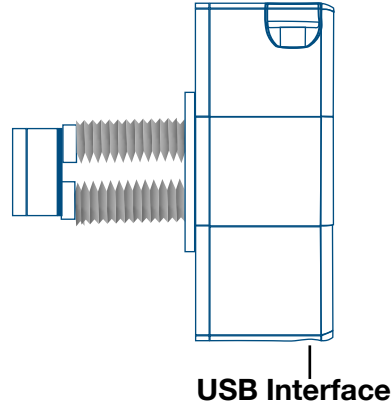
 Unlocked indicator light (Green)

 Low battery Indicator (Red)



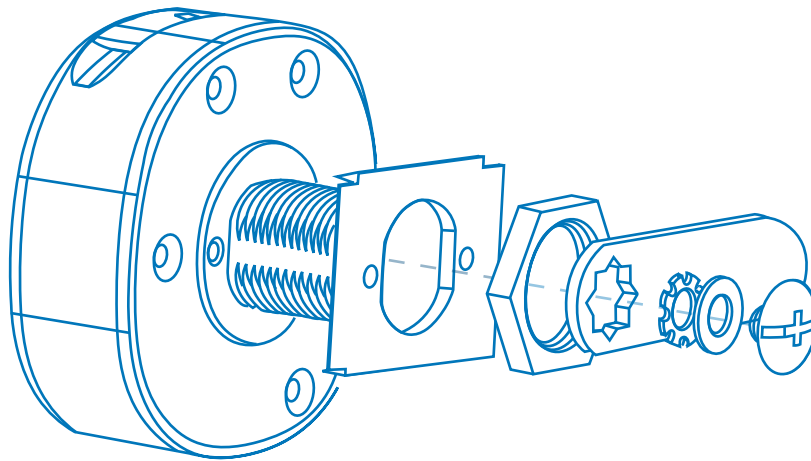
Battery box

Works with CR2032 battery.




The WT-M-1602-30 has a structure that allows the lock body to be turned after the PIN is entered. The unlock light turns on after a PIN authorized to open is entered. You can open the lock body by turning it within 3 seconds. If you don't turn the lock body within 3 seconds, it will lock again. When the lock body is turned to the locked position while it is open, it is automatically locked.

Installation



Technical Parameters

Keys	Touch Keys	Standby Current	20μA
Administrator PIN	1	Working Current	30mA
User PIN	1	Working Temperature	-20 ~ +55°C
Usable Battery	CR2032	Working Humidity	10% ~85%
Battery Life	5000 Times	Storage Temperature	-40 ~ +55°C

 Please note that outdated production of the battery you use may affect the default battery life.

How to use

WT-M-1602-30 comes from the factory with 4321 administrator PIN.

Before you start using it, you must change the factory-assigned passwords. Two different PIN can be registered in the lock, one as administrator and one user.

The administrator PIN is authorized to define the user PIN or reset the lock to factory settings. If you want to unlock with the administrator PIN, key in the administrator PIN, then tap OK. In this case, the lock is unlocked, but the user password is deleted.

Change PIN

1. Changing the Administrator PIN

- 1.1. Enter the default administrator PIN 4 3 2 1 and touch OK.
- 1.2. It beeps once and the unlock light turns on.
- 1.3. When you press and hold OK for more than 2 seconds, the unlock light starts flashing.
- 1.4. Key in and enter the new admin PIN and tap OK. (Your new PIN can be between 4 and 15 digits).
- 1.5. It beeps once and the new admin PIN is confirmed

⚠ You can use 4 and 15 digits PIN.

⚠ When you enter the administrator PIN and tap OK, the user password will return to 1 2 3 4.

2. Creating & Changing User Password

- 2.1. Keying 1 2 3 4 + OK.
- 2.2. It beeps once and the unlock light turns on.
- 2.3. When you press and hold OK for more than 2 seconds, the unlock light starts flashing.
- 2.4. Enter your new password and tap OK.
- 2.5. It beeps and the new password is confirmed.

⚠ PIN are not deleted even if you remove the battery. So remember which PIN is administrator. If you forget the administrator PIN, send the serial number next to the battery box to bilgi@securiturk.com. If we verify your identity, we'll send you the factory reset password.

!! !! Disclaimer: We inform you that we will not support any product that has not been purchased directly from our company and whose serial number is not in our records.

⚠ Administrator PIN and user PIN must be different from each other.

Usage

3.Unlock & Lock

3.1. Unlock

- Enter your user PIN and tap OK.
- The unlock light turns on and you hear a beep.
- The lock body becomes free. You can unlock the lock by turning the lock body clockwise.

⚠ You will hear 3 beeps if you entered the wrong user PIN.

⚠ If your battery is running low, the low battery light turns on during unlocking. In this case, you must replace the battery. If the low battery indicator is lit, it may cause the lock to fail.

⚠ You can change the battery to unlock a completely dead lock, connect a power bank or an adapter with Micro USB output to the Micro USB port at the bottom of the lock to unlock it again. Remember, saved PIN's will not be deleted even if the battery runs out.

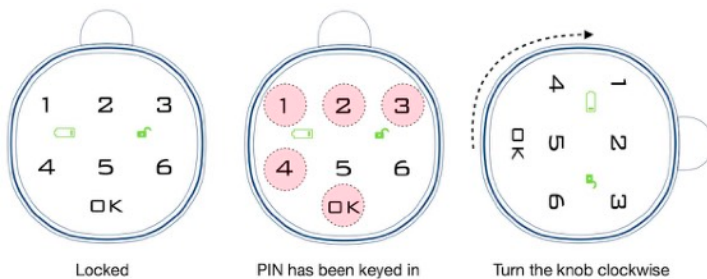
3.2. Lock

Turn the lock body counterclockwise to lock it.

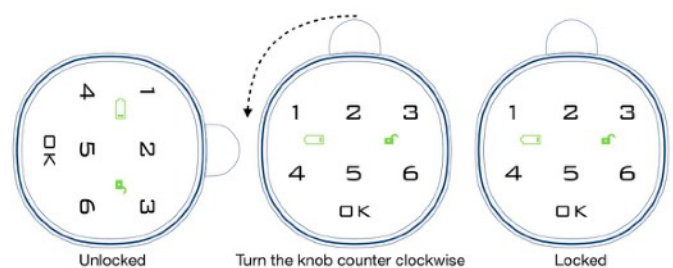
Usage: Schematic

4. Unlocking & Locking

4.1.Unlocking



4.2.Locking



Forget PIN

5. Forget the user password

- 5.1. If you forgot the user PIN and remember the administrator PIN: Enter the admin PIN and tap OK. The user password will return to 1 2 3 4.
- 5.2. If you have forgotten the administrator PIN, send the serial number next to the battery box to bilgi@securiturk.com. If we verify your identity, we will send you the factory reset PIN. When you enter the factory reset PIN, the lock will return to the factory settings.

⚠ When you enter the wrong PIN 4 times, the keypad will automatically lock for 1 minute for security purposes and alarm will sound 3 times. During 1 minute lockout, the touch panel will not be available.

Other Usage Modes

6. Enabling & Disabling Public Access

In cases where you do not want to share your own PIN with anyone else, you can set the unlocking PIN for the WT-M-1602-30 for one-time use and open it to public access.

6.1. Enabling Public Access

- Enter the user PIN and tap OK.
- It beeps once and the unlock light turns on.
- When you press and hold the OK Key for more than 2 seconds, the unlock light will start flashing.
- Tap OK once.
- Touch the 4 key 2 times and then touch OK.
- One beep sounds. Public Access means Enabled.

6.1.1. Set a One Time PIN

- Press the OK key. The unlock light starts flashing.
- For single use, key in the 4-15 digit password.
- Press the OK key.
- It will beep once.
- The unlocked light turns on.
- One-time PIN means ready to use.

When you complete this process, you will set a 1-time PIN. Once the PIN is used once, it will not be able to unlock it again. When locked with a one-time PIN, the unlock light flashes every second to indicate that it is locked with a one-time PIN.

6.2. De-Activate Public Access

- Type in the user PIN and tap OK.
- It beeps once and the unlock light turns on.
- When you press and hold OK for more than 2 seconds, the unlock light will start flashing.
- Tap OK once.
- Press 4 then 3 and touch OK.
- One beep sounds. Public Access deactivated.

7. Scramble code

You can use the lock in a "Scramble Code" mode to get confused if you are using the PIN panel where others can see it. The aim is to prevent people from seeing the PIN and unlocking them later. By activating this application, you can unlock it by entering a string with your correct PIN during use. For example: If you enter your PIN which is 1234 as 5644**1234**5612 and click OK, you will be unlocked. You can enter this sequence by changing it each time. Thus, the person who sees it from outside will not be able to understand your PIN. Close the mixing app after you're done.

7.1. Enabling Scramble code

- Key in the user PIN and press OK.
- It beeps once and the unlock light turns on.
- Press and hold OK for more than 2 seconds and the unlock light starts flashing.
- Tap OK once again.
- Touch 4, then 2, then touch OK.
- One beep sounds. It means Scramble code is enabled.

7.2.Disabling Scramble code

- Key in the user PIN and then tap OK.
- It beeps once and the unlock light turns on.
- Press and hold OK for more than 2 seconds and the unlock light starts flashing.
- Tap OK once again.
- Touch 4, then 1, then touch OK.
- One beep sounds. The Scramble Code mode is turned off.

Frequently Asked Questions

Problem	Possible Cause	Action
The lock beeps 3 times after entering the PIN.	The PIN entered is incorrect.	If you forget the PIN, contact us to get the factory reset PIN.
"The lock beeps twice after entering the password. Unlocked light flashes 2 times. Battery low light is on.	Battery low. Replace	CR2032 model battery.
After entering the password, the lock beeps 1 time. The Unlock light is flashing.	The lock is not in the correct lock position.	Turn the lock back to the locked position.
After entering the password, it does not unlock.	The beeper may be damaged.	Contact us to change the lock.

Dimensions

